

nita

Nita's products are meant to preserve the inherent qualities and imperfections of the given materials. All the products are hand made with this philosophy in mind. Products may come with natural finishes, exposed elements and unlaquered. Whilst we strive to have our products leave in pristine condition, these may arrive with minor oxidation marks. All our products are represented in such a way to insure product finishes and colors are accurate. Nicolo Taliani Ltd reserves the right to alter these details without notice, in compliance with its own product needs, manufacturing changes in response to current market needs. Color swatches are for reference only, Nicolo Taliani Ltd cannot guarantee exact color match for any product finishes.

All designs are protected under copyright law. Nicolo Taliani Ltd holds the exclusive manufacturing and distribution rights worldwide. Copying will be prosecuted.

All light fixtures in this catalogue have CE marking compliance.

Nicolo Taliani Ltd.
7 Torriano Mews, London NW5 2RZ, UK
T +39 02 3956 3914
sales@nitacollection.com
www.nitacollection.com
© 2019 Nicolo Taliani Ltd. All rights reserved

Registered Office
7 Torriano Mews
NW5 2RZ
London UK

Studio / Showroom
Viale Monza 30
20127 Milano Italia
+39 02 3956 3914

studio@nitacollection.com
press@nitacollection.com
nitacollection.com
@_nitacollection

nita



One Side Table Collection

Defying the ancient mathematical adage “you can’t square a circle,” this sculptural table combines a circular top with a square base of the exact same weight and surface area. Both foundational pieces as well as the table’s small circular feet are CNC routed from a single metal sheet and assembled using a proprietary folding technique, exemplifying efficiency of form and the elegance of simplicity.

nita

One Side Table 56, 2019

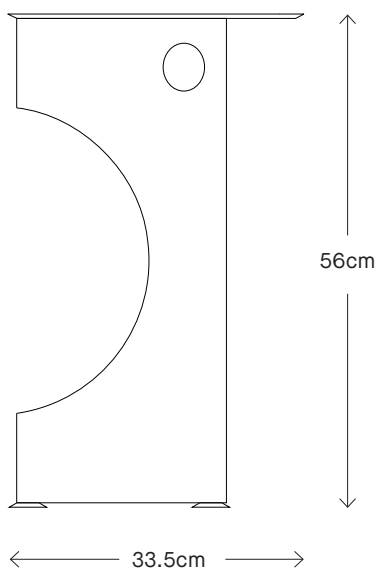
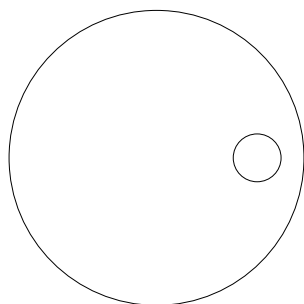
Brass/Copper/Aluminum/Silvered brass body
Stainless steel screws

Product Specifications

56cm h | top 33,5cm

Weight: 4,5kg-13,5kg

Handcrafted in Italy



Registered Office
7 Torriano Mews
NW5 2RZ
London UK

Studio / Showroom
Viale Monza 30
20127 Milano Italia
+39 02 3956 3914

studio@nitacollection.com
press@nitacollection.com
nitacollection.com
@_nitacollection

nita

One Side Table 56, 2019

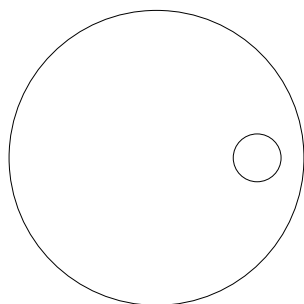
Brass/Copper/Aluminum/Silvered brass body
Stainless steel screws

Available finishes

Polished brass N02011305001000/56
Polished copper N02011320001000/56
Polished aluminum N02011317001000/56
Polished silvered brass N02011321001000/56



Due to the hand made nature of this object, small imperfections in surface finish may be possible.

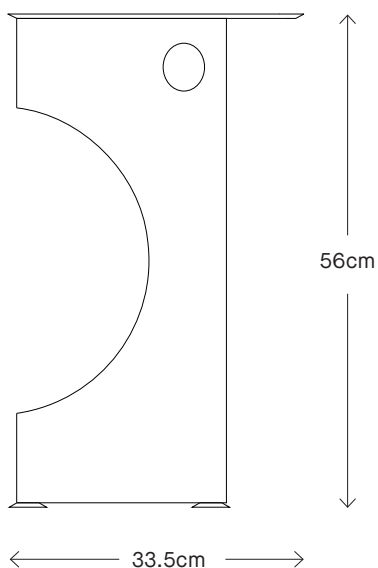


Cleaning Instructions

Please note brass / copper is a soft material and must be handled with extra care. For maintenance, only use lint-free dust cloths and wear the white cotton gloves, provided, if handling it. To polish, use a good quality non-abrasive brass cleaner and extra soft dust cloths (lint-free).

If in doubt contact your point of sale or sales@nitacollection.com.

For the aluminum, use a lightly damp soft dust cloth with aluminum polish and gently go over marks until clean. Dry it afterwards with a soft dust cloth.



Registered Office
7 Torriano Mews
NW5 2RZ
London UK

Studio / Showroom
Viale Monza 30
20127 Milano Italia
+39 02 3956 3914

studio@nitacollection.com
press@nitacollection.com
nitacollection.com
[@_nitacollection](https://www.instagram.com/_nitacollection)

nita

One Side Table 66, 2019

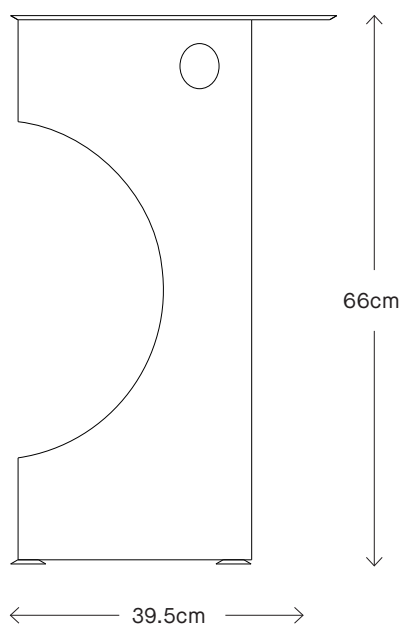
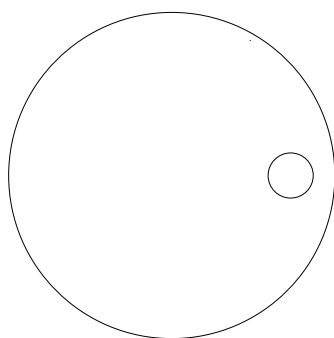
Brass/Copper/Aluminum/Silvered brass body
Stainless steel screws

Product Specifications

66cm h | top 39,5cm

Weight: 6kg-19 6kg

Handcrafted in Italy



Registered Office
7 Torriano Mews
NW5 2RZ
London UK

Studio / Showroom
Viale Monza 30
20127 Milano Italia
+39 02 3956 3914

studio@nitacollection.com
press@nitacollection.com
nitacollection.com
@_nitacollection

nita

One Side Table 66, 2019

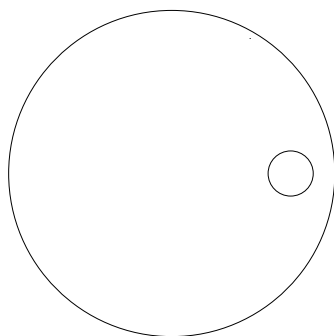
Brass/Copper/Aluminum/Silvered brass body
Stainless steel screws

Available finishes

Polished brass N02011305001000/66
Polished copper N02011320001000/66
Polished aluminum N02011317001000/66
Polished silvered brass N02011321001000/66



Due to the hand made nature of this object, small imperfections in surface finish may be possible.

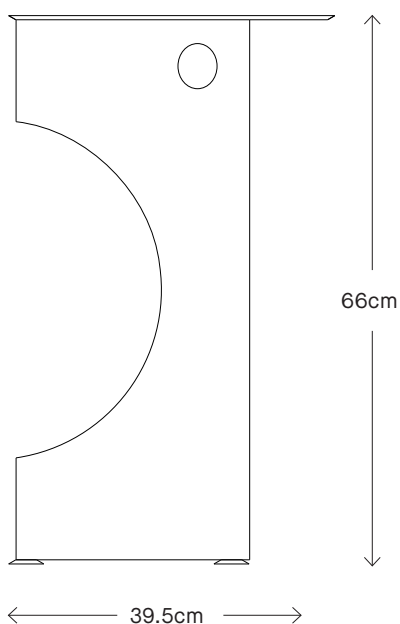


Cleaning Instructions

Please note brass / copper is a soft material and must be handled with extra care. For maintenance, only use lint-free dust cloths and wear the white cotton gloves, provided, if handling it. To polish, use a good quality non-abrasive brass cleaner and extra soft dust cloths (lint-free).

If in doubt contact your point of sale or sales@nitacollection.com.

For the aluminum, use a lightly damp soft dust cloth with aluminum polish and gently go over marks until clean. Dry it afterwards with a soft dust cloth.



Registered Office
7 Torriano Mews
NW5 2RZ
London UK

Studio / Showroom
Viale Monza 30
20127 Milano Italia
+39 02 3956 3914

studio@nitacollection.com
press@nitacollection.com
nitacollection.com
[@_nitacollection](https://www.instagram.com/_nitacollection)